

GRAPHTEC

NEW

Color Image Scanners

CS1000EV/1100EV

A0 • A1 SIZE

**Color Scanning at
a Monochrome Price!**

A1 SIZE CS1100EV



A0 SIZE CS1000EV



The CS1000EV/1100EV high-performance A0/A1-size color image scanners were designed for GIS, mapping, and document archiving applications.

If you were thinking of purchasing a large-format monochrome scanner, look at the CS1000EV/1100EV instead. Get all the benefits of color at a monochrome scanner price! Colorful, complex maps, long-length monochrome drawings, even old blueprints—the CS1000EV/1100EV scans them all accurately, at high speeds. Whether you need to scan, edit, and print out documents for GIS applications or archive drawings for easy reference, look no further!

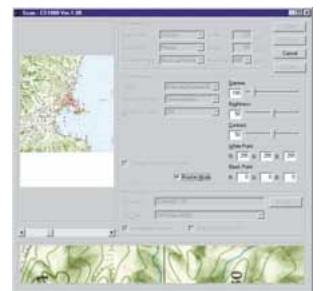


Scanning Master 21+ OPS112

Graphtec's easy-to-use, high-performance color scanner driver is provided as a standard accessory.

Palette Creation and Prescan Functions

Select the Palette mode to create a color modification palette while your document is being scanned in. Use the Edit function to edit and save the palette for use with other similar documents so that you can greatly reduce the time required for color modification during the editing operation. The color modification palette can also be accessed when you use the Prescan function to check and adjust your scanner settings in real time for even finer adjustments to the color density and other settings.



Supports a wide range of file formats

A wide range of file formats is supported for saving the documents to a file after they have been scanned and edited. These file formats cover a huge range of applications.

Bitmaps, RLE compressed bitmaps, CAD Overlay ESP, TIFF non-compressed (MSB, LSB), TIFF G4 (MSB, LSB), TIFF PackBits (MSB, LSB), TIFF CCITT G3 (MSB, LSB), TIFF G3 (MSB, LSB), TIFF JPEG (MSB, LSB), CALS G4, PCX, INTERGRAPH G4, Sun Raster non-compressed, Sun Raster Encode, JPEG compression (10 levels)*2

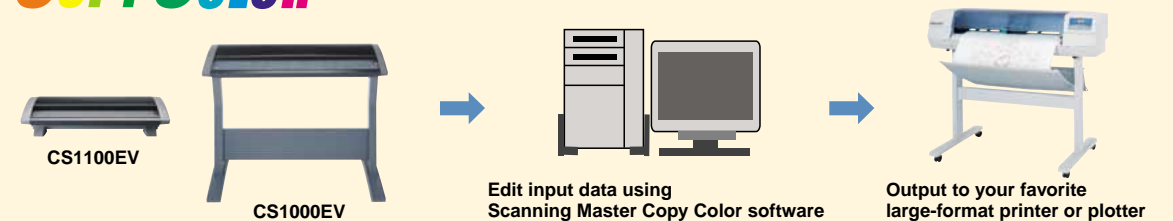
Usable formats differ according to whether a bilevel monochrome, grayscale, or 8-bit color format is used. Please check with your Graphtec vendor for details.

*2 grayscale format only.

Large-format color copy system

Scanning Master Copy Color OPS116

Using the Scanning Master Copy Color application software that comes with your scanner, you can easily put together a multi-functional large-format color copy system to rival a color copier!

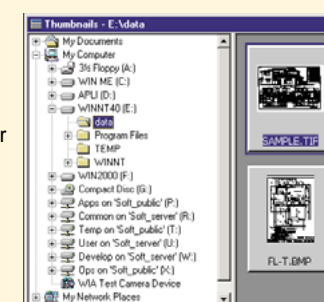


Large-format color copy & simple filing system

Scanning Master ProColor OPS115

ProColor (OPTION)

Install Graphtec's Scanning Master Pro Color software and then connect your scanner to your favorite printer or plotter to create a professional large-format color copy system. You can also create a simple filing system to instantly call up archived drawings on your computer screen as thumbnails.



Filing Functions

- Microsoft® Explorer-like menu tree display
- Thumbnail display • Preview display
- Page functions (Add, Delete, Copy, Paste) for TIFF multi-page data editing

Editing Functions

- Fill • Insert Text • Extension Line
- Color Selection/Modification by Area Definition
- 4-point Correction • Link Images
- Color Reduction using User-specified Palette
- Grayscale • Color Controls • Smoothing
- Enhance Edges • Pixel/mm/scale Specification for Resize Function
- JPEG compression (10 levels) file format
- 24-bit color display/save functions (when TWAIN driver is used for scanning)

Performs sharp, clear scanning of even detailed images

600 dpi optical resolution

The CS1000EV/1100EV lets you select from 800 dpi through 200 dpi interpolated resolution to suit the complexity of your drawing and your scanning application. In addition to monochrome drawings, the CS1000EV/1100EV also supports 256-level grayscale and 256-color data input.

Accurately scans drawings for GIS and civil engineering applications

±0.1% ±5 pixels

The CS1000EV/1100EV scans in detailed road maps and contour maps, even extra-long documents, at an accuracy of ±0.1% ±5 pixels. Use Graphtec's Scanning Master Copy Color software to reproduce high-quality drawings that are faithful to the original.

Processes large quantities of drawings in a very short time

Color: 1.28"/s *1; Monochrome: 3.8"/s *1

Whether your documents are color or monochrome, the CS1000EV/1100EV scans them in fast and effectively. There are several driver-controllable speeds to choose from, depending on the type of document you plan to scan in. Selecting a lower speed ensures that even damaged and delicate drawings are handled with care.

*1 Excludes data processing speeds; at 200 dpi resolution

Special functions for smooth color scanning

Reduces 24-bit color data to more manageable 8-bit color data

The color depth reduction function reduces the wide 24-bit color spectrum with its 16.7 million colors to the 256 colors of the more practical 8-bit color spectrum. Select Standard or Optimized when making the initial settings. In addition, you can also change the colors after the data has been scanned in.

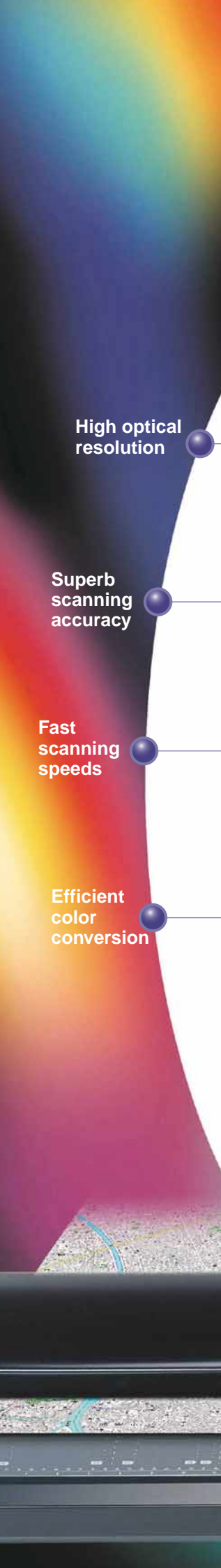
Standard : The scanned-in 24-bit data is converted directly to standard 8-bit color data.

Optimized (closest match) : The scanned-in 24-bit data is checked by the driver software and then automatically converted to the most suitable 8-bit colors for that data.

Optimized (for maps/drawings) : A special algorithm is used to convert only the relatively small number of colors needed for maps/drawings.

Express mode

The new 'Express mode' function reduces the time required to scan data by approximately 40%, enabling high-speed transfer of full-color 24-bit data without any color deterioration. The Express mode is useful for scanning in detailed color documents for post-scan editing and archiving.



High optical resolution

Superb scanning accuracy

Fast scanning speeds

Efficient color conversion

Specifications

	CS1000EV	CS1100EV
Document sizes	ANSI E to ISO A4	ANSI D to ISO A4
Effective scanning area	Width: 914 mm, based on the center point (up to a maximum of 1000 mm) Length: 1188 mm (capable of long-length scanning up to approx. 4 m)*1	Width: 594 mm, based on the center point (up to a maximum of 630 mm) Length: 841 mm (capable of long-length scanning up to approx. 4 m)*1
Document thickness	Up to 1.5 mm (including the carrier sheet)	
Optical resolution	600 dpi	
Interpolated resolution	Main scanning direction: 200, 300, 400, 600 dpi Sub scanning direction: 200, 300, 400, 600, 800 dpi	
Main scanning system	Contact image sensor system	
Sub scanning system	Document travel (sheet through) system	
Scanning speeds*2	Monochrome: approx. 1.3 ms/line approx. 3.8"/s at 200 dpi approx. 1.9"/s at 400 dpi approx. 1.26"/s at 600 dpi Color: approx. 3.9 ms/line approx. 1.28"/s at 200 dpi approx. 0.64"/s at 400 dpi approx. 0.42"/s at 600 dpi	
Scanning precision*3	±0.1% ± 5 pixels	±0.1% ± 3 pixels
Gradation	Monochrome: binary, intermediate (dithering, error diffusion) Gray scale: 256 shades Color: 256 colors	
Threshold value (monochrome)	Automatic threshold value setting by the digital signal processor	
Light source	LED (RGB)	
Interface	Complies with the SCSI-2 standard	
Output	Image data	
Power rating	100 to 120 / 200 to 240 VAC (automatically selected) ±10%; 50/60 Hz	
Operating environment	Temperature: 10 to 35°C, Humidity: 35 to 80% RH (non-condensing)	
Guaranteed accuracy environment	Temperature: 20°C ±3°C, Humidity: 60% RH ±10%	
Power consumption	Within 115 VA	
External dimensions	Approx. 1188 (W) x 600 (D) x 1020 (H) mm	Approx. 850 (W) x 381 (D) x 169 (H) mm
Weight	Approx. 48 kg	Approx. 24 kg

*1 With a long-length document, the document length that can be scanned in is restricted by the connected computer's available memory and by the grade of medium to be scanned.
*2 Data transfer time is not included.

*3 The scanning precision may vary according to the grade and thickness of the medium being used, and to the operating environment. The precision figures above were measured under the operating conditions described below :

- Test chart used : Mylar sheet (thickness: 55 µm)
- Guaranteed precision conditions : Temperature 20 ±3°C; humidity: 60% ±10% RH
- Guaranteed scanning precision range : CS1000EV : 1188 x 841 mm / CS1100EV : 594 x 841 mm
- Document hold-down unit : Standard unit

• Recommended environment for 8-bit color scanning:

- CPU : Pentium III, 866 MHz or higher grade
- Memory : 512 MB or more
- Monitor : 1024 x 768, True Color display
- SCSI board (Adaptec) - for PCI

Standard Accessories

	CS1000EV	CS1100EV
Power cable	1	1
Carrier sheet	1 (IS0907)	1 (IS0908)
User's manual	1	1
OPS112 Scanner driver (Scanning Master 21+)*4	1 set	1 set
OPS116 Scan-to-copy software (Scanning Master Copy Color)*4	1 set	1 set
Document support wires	3	3
SCSI cable clamp	1	-
Stock brackets	2	-
EV document hold-down unit	1	1

*4 Supports Windows 95/98/NT4.0/Me
For Win 2000/XP applications, please consult your Graphtec vendor

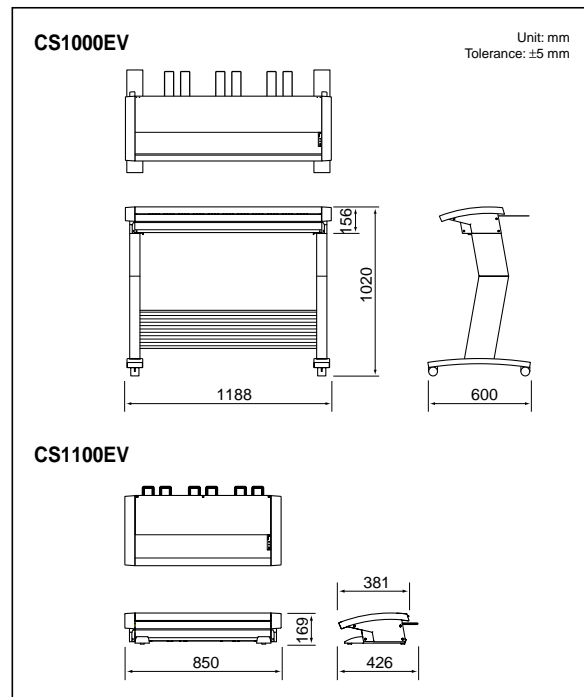
Options

OPS115-KIT-E	Software to upgrade Scanning Master 21+ to Scanning Master Pro Color	For both CS1000EV/CS1100EV
PG0010	Media basket	For the CS1000EV model only
ST0038	Stand with media basket	For the CS1100EV model only

Other Accessories

SC0006 SCSI cable with 50-pin half-pitch pin-type connector on both ends, 3 m length
SC0006 2M SCSI cable with 50-pin half-pitch pin-type connector on both ends, 2 m length
A0-size carrier sheet (IS0907)
A1-size carrier sheet (IS0908)

External Dimensions



Brand names and product names listed in this brochure are the trademarks or registered trademarks of their respective owners. Specifications are subject to change without notice.

GRAPHTEC CORPORATION

503-10 Shinano-cho, Totsuka-ku,
Yokohama 244-8503, Japan
Tel : +81 (045) 825-6250
Fax : +81 (045) 825-6396
Email : info@graphteccorp.com
Web : www.graphteccorp.com



Fujisawa Plant