

HP Designjet Z6100 Printer series

From posters to photos, maps to fine art, the HP Designjet Z6100 Printer series delivers exceptional print speeds with outstanding image quality and durability.¹ Plus, with an embedded spectrophotometer² and Original HP Vivera pigment inks, you'll get accurate, fade-resistant color every time you print.¹



Large Document Solutions

(303) 773-9015 • (866) 338-4464 toll-free • info@largedocuments.com • www.largedocuments.com



Short turnaround times

Let this exceptionally fast printer handle peak workloads, last-minute requests, or real-time changes.

- **Print at extremely high speeds.** HP Double Swath technology and the first-ever HP Optical Media Advance Sensor give you a wide print swath and extremely accurate printing for great results at exceptionally high speeds.
- **Benefit from unattended printing.** High volume, unattended printing—even overnight—is easy, thanks to Original HP jumbo-length rolls up to 574 ft. long.
- **Skip the interruptions.** High-capacity 775 ml Original HP 91 Ink Cartridges with HP Vivera pigment inks mean even fewer stops and starts in your printing.

Outstanding image quality

Achieve vivid color and exceptional fade resistance with Original HP Vivera pigment inks.²

- **Discover vivid color.** Eight Original HP Vivera pigment inks deliver a wide color gamut with true neutral grays for outstanding image quality and detail.
- **Get lasting quality.** Interior display prints produced with Original HP Vivera pigment inks resist fading in or near a window for more than one year un laminated, more than three years laminated and more than 200 years away from direct sun.¹
- **Choose the media you need.** Attain outstanding quality on a wide variety of Original HP media types including photo, matte, banner, fine-art, and technical and graphic media and films.
- **Produce prints fast without sacrificing quality.** HP's innovative printhead design delivers accurate, small drop sizes, enabling high-quality, high-speed printing.

- **Print using the HP Designjet system for best results.** HP printers, HP Vivera pigment inks and Original HP media are developed together as a system to deliver optimal print quality and reliability.

Breakthrough color accuracy

Get consistent results print to print and printer to printer with HP's advanced closed-loop color calibration.

- **Count on consistent colors.** HP DreamColor Technologies provide you reliable, accurate colors every time you print regardless of fluctuating environmental conditions.
- **Easily add new media types and get accurate color.** The built-in spectrophotometer provides breakthrough color accuracy and lets you create ICC profiles in just 20 minutes for accurate profiling and precision printer calibration.³
- **Create the best results every time.** HP's Advanced Profiling Solution allows you to accurately calibrate and profile colors. The HP Color Center provides step-by-step instructions for adding new media, calibrating and optimizing color output.

Easy-to-use job management tools

Increase your efficiency with more options.

- **Track your supplies costs.** Accounting features track ink and media use to help you monitor costs on a print-by-print basis.
- **Change what you need, minus the hassle.** Easily adapt in real time by resetting job priorities, reprinting stored jobs, and previewing before printing.
- **Store jobs as long as you want.** The 40 GB hard disk adds security and convenience, allowing you to keep submitted jobs on your printer.

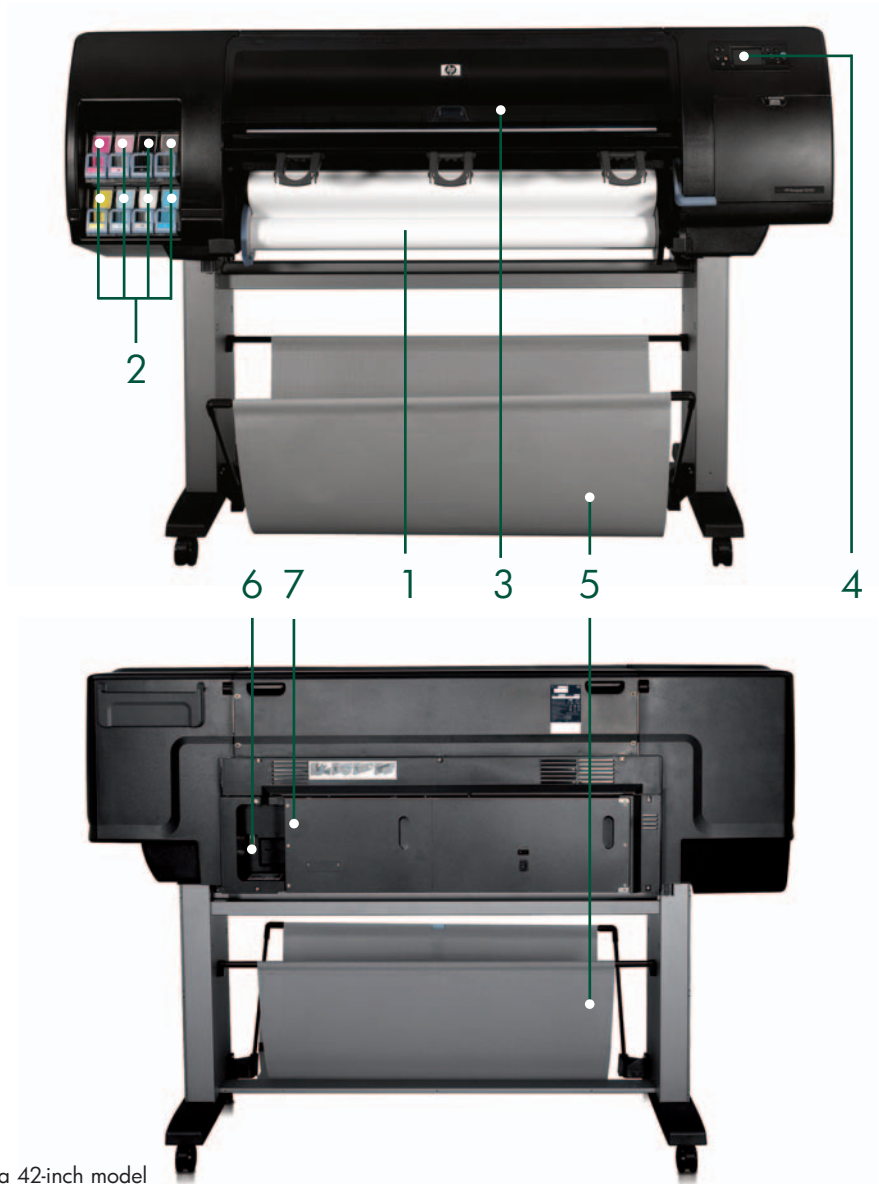
¹ Display-permanence rating for interior displays away from direct sunlight by HP Image Permanence Lab and by Wilhelm Imaging Research, Inc. on a range of HP media. Water resistance and interior in-window display ratings by HP Image Permanence Lab on a range of HP media. For details: www.hp.com/go/supplies/printpermanence.

² With i1 Color Technology from GretagMacbeth.

³ Non-Adobe PostScript® printers require the HP Advanced Profiling Solution or a 3rd party RIP that supports media profiling.

HP Designjet Z6100 Printer series

1. Roll feed accommodates media rolls up to 575 ft
2. High-capacity 775 ml Original HP 91 Ink Cartridges with HP Vivera pigment ink supplies
3. Eight Original HP 91 printheads (two sets of four printheads)
4. Easy-to-reach, intuitive front panel
5. Media stand and bin collect drawings as they print (standard on 42-inch printer)
6. Ethernet connection ensures easy workgroup integration
7. EIO slot accommodates an array of HP JetDirect options



Printer shown is a 42-inch model

Printer series at a glance

HP Designjet Z6100 Printer:

- Choose from 42- or 60-inch models
- 256 MB RAM
- 40 GB hard disk
- Direct file submission of HP-RTL, HP-GL/2, CALS G4, TIFF and JPEG files

HP Designjet Z6100ps Printer:

- Choose from 42- or 60-inch models
- Embedded Adobe® PostScript 3 RIP
- 256 MB RAM and 40 GB hard disk
- Direct file submission of HP-RTL, HP-GL/2, CALS G4, TIFF, JPEG, PostScript, EPS and PDF files

Options:

- HP Designjet 42-inch Scanner
- 256 MB upgrade (available on 42-inch model)
- HP Advanced Profiler Solution
- Additional spindles for easy media swapping
- User maintenance kit
- Dual-mode take-up reel (standard on 60-inch; optional on 42-inch models)
- Media bin (standard on 42-inch; optional on 60-inch models)
- USB or HP JetDirect network solutions

HP System

HP Vivera pigment ink

Work with millions of color combinations across a wide color gamut and wide range of media. The Original HP Vivera pigment inks include the HP Three-black ink set that produces a broad range of blacks, subtle transitions, true gray neutrality, and rich black density. Exclusive Original HP Vivera pigment ink formulations are delivered by HP 91 Printheads that are designed to achieve precise, accurate placement of smaller drops at high speed. Each printhead prints two colors of ink with 1,056 nozzles per color. Working together, these components produce a range of vibrant colors, smooth neutral gray transitions, crisp text, and fine line accuracy for a wide color gamut, incredible detail, and photo-image quality.

The first-ever HP Optical Media Advance Sensor allows you to print at top speeds and still get great output results. This breakthrough technology improves paper-advance control and accuracy, so the printer can print at higher speeds across multiple environmental conditions without impairing image quality.

Amazing color

The HP Embedded Spectrophotometer, with i1 Color Technology from GretagMacbeth, is mounted on the printer carriage for accurate printer calibration measurements that deliver print-to-print and printer-to-printer color consistency. It revolutionizes professional color workflows by systematically creating media profiles, allowing users to automatically generate custom CMYK ICC profiles for their preferred media. Also, with the optional HP Advanced Profiling Solution, you can edit and modify existing profiles and create RGB profiles.⁴

HP Vivera Pigment Inks



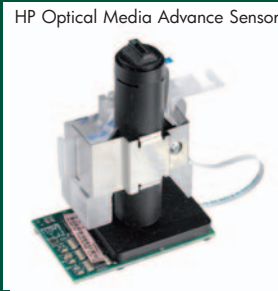
HP Media



HP Printhead



HP Optical Media Advance Sensor



HP Embedded Spectrophotometer



HP Media

Choose from more than 50 Original HP large-format media substrates for a broad range of applications, including bond, coated, photo and proofing papers; technical and graphic papers and films; and backlit, self-adhesive, banner and sign, fabric/textile and fine arts printing materials. Original HP media is designed together with HP Vivera pigment inks to produce consistently outstanding image quality that you can count on—from photo-quality images to high-quality posters and banners to crisp line drawings.

HP Services

Want to ensure your printer is always available and productive? Check out HP Care Pack Services for installation and multi-year on-site services. Experts are available with technical phone, web and on-site services to make sure you get the most efficient use of your printer. Competitively priced, flexible packages let you select service levels, hours of coverage and response times that meet your needs.

HP technology leadership Outstanding speed

HP Double Swath Technology provides breakthrough speed and performance. The HP Designjet Z6100 Printer series includes two sets of four HP 91 Vivera pigment ink printheads, creating a wide print swath—up to 1.8 inches—and a high firing frequency to deliver prints with amazing speed.

HP DreamColor Technologies make it easy for you to produce accurate, predictable and consistent color across different printers, presses and media. The HP Designjet Z6100 Printer series comes equipped with HP DreamColor Technologies: HP Professional PANTONE® emulation, HP's closed-loop color calibration and automatic ICC profiling with the HP embedded spectrophotometer and software. The result? The HP Designjet Z6100 Printer series, plus HP media and HP 91 Vivera pigment inks, produce vivid and accurate color prints—print to print and printer to printer.

High productivity

The HP Easy Printer Care Tool lets you easily navigate through color-management, printing and job-management workflows, and the HP Color Center provides easy-to-use, step-by-step instructions on how to add new media and calibrate the printer. Plus, the HP Designjet Z6100ps printer's accounting tool allows you to easily track supplies use by job, while the job submitter tool lets you submit your HP-RTL, HP-GL/2, CALS G4, PostScript, PDF, TIFF, EPS and JPEG files directly to the printer.

⁴ Non-Adobe PostScript® printers require the HP Advanced Profiling Solution or a 3rd party RIP that supports media profiling.

