



Large Document Solutions
 7340 S. Alton Way #11M
 Centennial, Co. 80112
 (303) 773-9015
 (866) 338-4464 toll-free
 info@largedocuments.com
 www.largedocuments.com



Paradigm Imaging Group
 Distributor of Large Format Scanning & Printing Solutions

EIS Quatra
 Express Imaging System
 Scan > Print > Copy

Introducing
EIS QUATRA



Paradigm Imaging Group
 Distributor of Large Format Scanning & Printing Solutions



36" scan width with scan speeds up to 5-ips in B/W and 1.5-ips in color

Available in 3 different models
 upgradable from model M to C to E

High speed 24" wide, 2400 X 1200 dpi 4-color Printer for CAD/GIS applications to Color Graphics

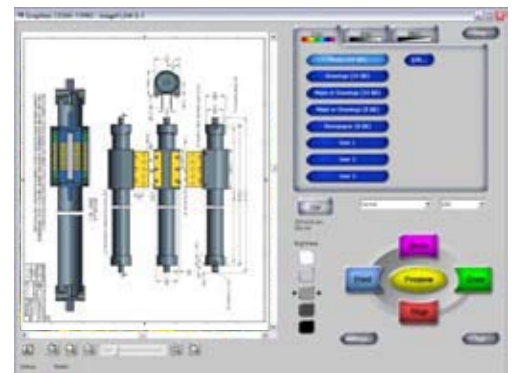
State of art technology for FM's, CAD/GIS and Reprographics - the EIS family of large format multi-function systems provides maximum flexibility to meet your scanning, copying and printing needs.

Large Format Desktop Multi-Function **Scan > Print > Copy**



State-of-the-Art
Document Imaging Software

- Touch Screen Compatible
- Easy to Use Interface – Copy, Scan & Print
- Supports Current Graphtec Scanners
- Over 550 Printers Supported
- Hot Folder Print Queue
- Includes over 325 ICC Output Profiles
- ICC Profile Editing
- Print Postscript Files
- Create Job Sets (Seiko LP-1010)
- Future Support for KIP, Oce & Xerox




Specifications for EIS QUATRA

Scanner Specifications	Graphtec SK200-09	M	Graphtec SK200-09	C	Graphtec SK200-09	E
Scanning Width	36" (centered) / 36.5" (max. document width)					
Document Thickness	up to 0.8mm (including the carrier sheet)					
Optical Resolution	600 dpi					
Interpolated Resolution	upto 1200 dpi					
Main scanning system	Contact Image System (five A4 sensors in a zigzag pattern)					
Max. Scanning speed at 400 dpi: (High Speed Normal High Quality)						
_ Monochrome		3.0 inches/sec.		3.0 inches/sec.	5.0	3.5 3.0 inches/sec.
_ Gray	-	3.0 inches/sec.	-	3.0 inches/sec.	5.0	3.5 3.0 inches/sec.
_ Color (8-bit, 24-bit)				0.75 inches/sec.	1.5	1.0 0.75 inches/sec.
Scanning precision	+-0.1% or +-1 pixel, whichever is larger					
Gradation	Monochrome: Bi-level, intermediate tones (dithering, error diffusion) Gray: 256 shades Color: 24-bit					
Threshold value	A DSP (digital signal processor) enables automatic setting of the threshold value (monochrome scans only)					
Color space	RGB					
Censor						
_ Total number of pixels captured	22,020 x RGB = 66,060					
_ Light source	LED, RGB					
_ Output	Color : 42bits/pixel, Grayscale : 14bits/pixel					
Interface	USB 2.0 (High Speed)					
Rated Power Supply	100 to 120/200 to 230 VAC +-10%, 50/60 Hz					
External Dimensions (w/ stand)	46.65 x 28.15 x 37.99 inches					
Weight (approx. incl. the std.)	38kg / 84lbs					

Printer Specifications	Graphtec Master Jet JK200
Printing System	4-color thermal inkjet
Nozzle Configuration	Black (320x2 line), Color (160x3)
Resolution	Monochrome 2400x1200 dpi Color 4800x1200 dpi
Printer Diver	98SE/ME/2000/XP
Ink Capacity	100ml (bk) 50ml (cmy)
Maximum Media Width	24 inches (625mm)
Print Speed	High speed Standard High grade
Interface	USB 2.0
Rated Power	AC100 - 240V 1.5A 50/60Hz

Rocket Specifications	Scanner Controller
Operating System	Windows XP® Professional
Processor	2.8 GHz Pentium 4
Memory	1 GB DDR PC2100x 1200 dpi
Hard Drive	80GB SATA-150 (7200 rpm) 8MB Cache
CD/DVD	CDRW/DVD ROM Combo Drive
Networking	10/100Mb Fast Ethernet
Keyboard	Mini 101 Keyboard w/ Touch Pad
Monitor	17" LCD (1280x1024)
Onboard Graphic	Integrated SiS315 VGA



1 Year On-Site Warranty

EIS Quatra	
Combined Weight (Scanner, Stand, Printer & Controller)	145 lbs.
Foot Print Size (height, length & width)	18" h x 48" l x 24" w